

Gardhenia

WITH SEMI SIDE RAILS



ALL CLINICAL AREAS

Frequent usage

All clinical areas:

Hospital Day

Residential aged



version with accessories

SAFETY & WELL-BEING

reduction of the risk of falling
easy entry and exit



www.gardhenbalance.it



VARIABLE HEIGHT

Height-adjustable from 37 cm to 79 cm

BEDSPRING PLATFORM

4 sections with triple ABS thermoformed articulation

79 cm

+42 cm

37 cm

17,5 cm

CASTORS

Ideal when transporting a patient. The steering system facilitates manoeuvrability.

BRAKE

Centralised on 4 castors and easily operated

FLOOR CLEARANCE

Useful for lifting equipment entry





SAFETY & WELL-BEING

In case of a patient's accidental fall, the low height of the bedspring platform is crucial to limit possible damages. In addition, the low height of the bedspring platform and its adjustment allow for easy entry and exit from the bed, even for patients with reduced mobility.



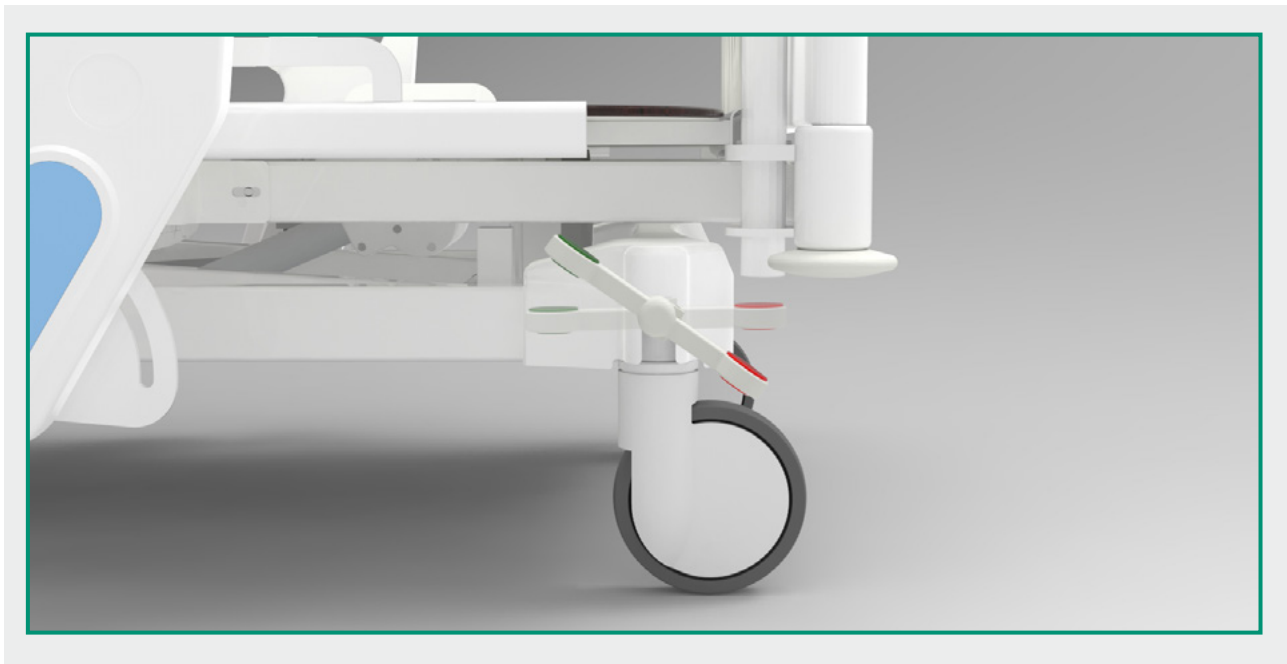
Standard equipment

- The ergonomic bedspring platform is partitioned into 4 sections protected by easily removable and washable covers in thermoformed engineering plastics.
- Reinforced frame in S235JR steel stabilised through pre-treatment and thermosetting epoxy paint (colour of your choice).
- Thermoformed ABS cover to protect the base.
- Motorised Backrest Section.
- Motorised femoral section.
- Gas spring servo-assisted leg section synchronised with the movement of the femoral section.
- Electric height adjustment through pantograph elevation system. Bedspring platform range from 37 cm to 79 cm (42 cm extension).
- Motorised Trendelenburg and Reverse Trendelenburg through pantograph elevation system.
- Synchronous backrest displacement of 13 cm to limit abdominal compression.
- Fowler's position with backrest rotation for limiting abdominal compression - Equipment code AC62.
- Quick backrest release to facilitate CPR manoeuvre - Equipment code AC8L.
- Low-voltage anti-crushing electric motors with spline system (Slatted Base).
- Easily removable ABS shoulders with head and foot side safety lock - Equipment code AC65/5.
- Couple of semi side rails for safety patient - Equipment code AC71/1.
- 150 mm diameter non-marking swivel castors. The device can be fitted with wheels of various types and diameters (see the accessory data sheet).
- Floor clearance for hoist entry; the height from the base to the floor is 17,5 cm
- Centralised braking system with directional mode. Operation via 2 bilateral pedals on the back side - Equipment code AC7L2/G.
- 8 perimeter bumpers integrated in the shoulders.
- Drain holder on din bar - Equipment code AC148.
- Bilateral receptacles for IV pole on head side - Equipment code AC4L/S.
- Emergency battery - Equipment code AC17L.
- 10-key push-button panel. All movements of the Gardhenia bed are controlled via a perimeter push-button panel fitted with a 3.5 m coiled cable. For patient safety, the push-button panel is fitted with a key to disable the controls - Equipment code AC34L. The push-button panel is easy to use as it is designed with large relief pictograms making it also suitable for visually impaired patients. Insulation IP66. It is possible to integrate other control systems (see the accessories data sheet).
- Equipotential node.
- Colour customisation - Frame and shoulder inserts - see the colour chart available by scanning the QR code on page 9. If no preference is given, the frame will be supplied in RAL 1013 colour with "Light Blue" sideboard inserts.
- Latex and phthalate-free.



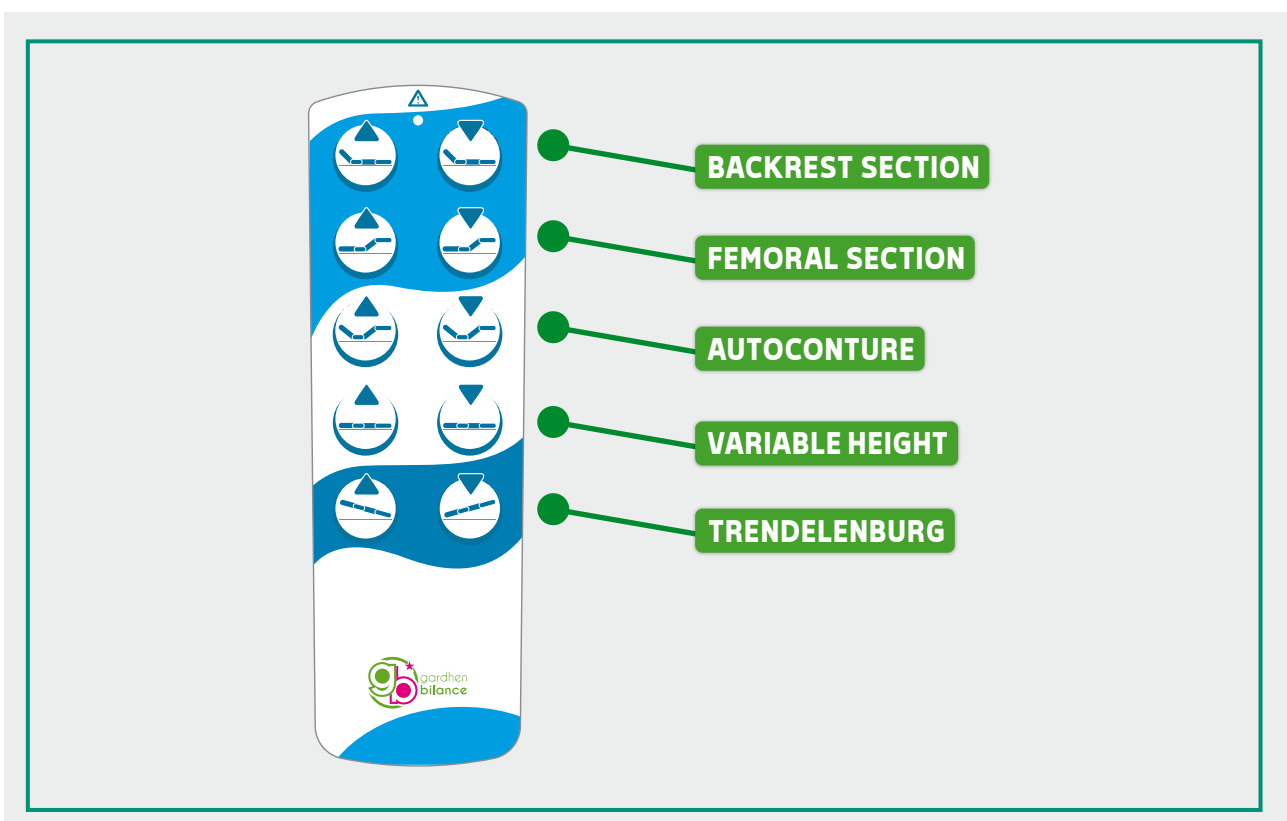
Braking system

Central brake system with directional mode. Operation via 2 bilateral pedals on the back side - Equipment code AC7L2/G.



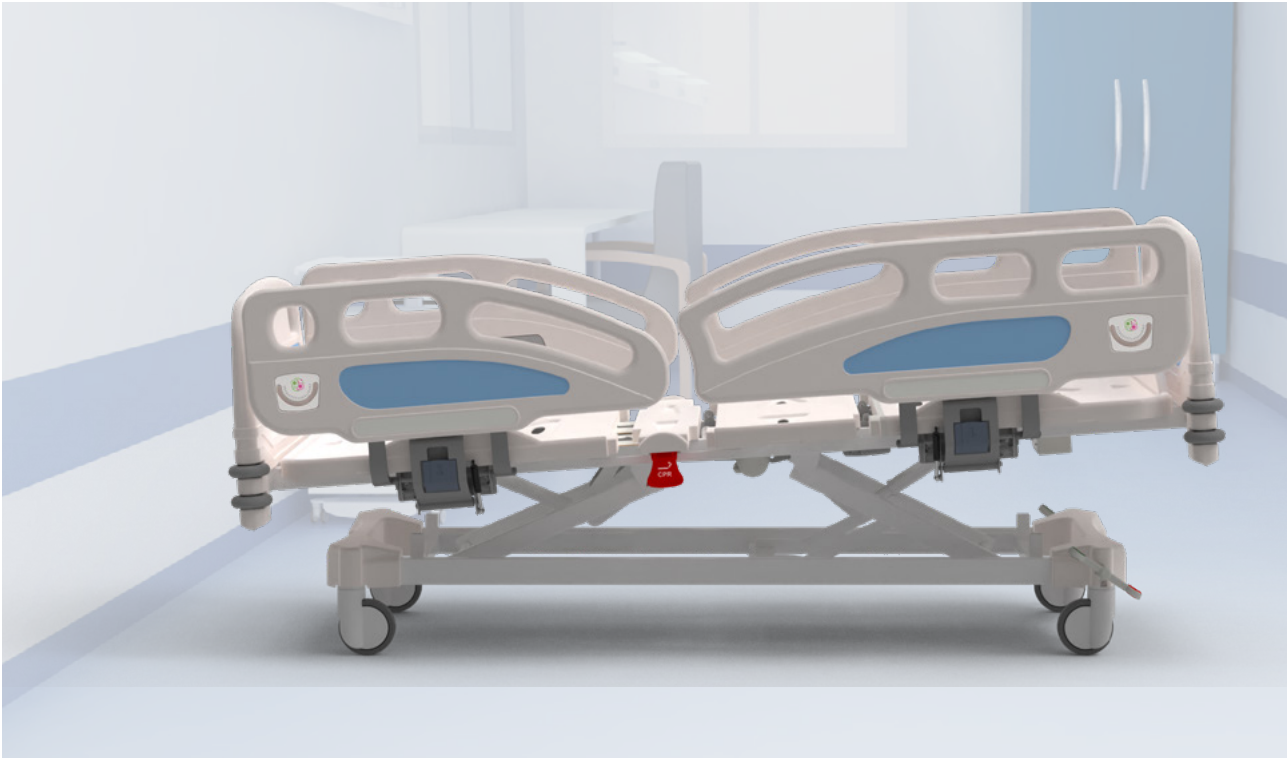
Push-button panel

The medical device is equipped with a 10-key push-button panel that enables the bed sections to be moved electrically. For patient safety, the push-button panel is fitted with a key to disable the controls - Equipment code AC34L. The push-button panel is easy to use as it is designed with large relief pictograms making it also suitable for visually impaired patients. Insulation IP66. It is possible to integrate other control systems (see the accessories data sheet).





Movements



TRENDELENBURG



REVERSE TRENDELENBURG

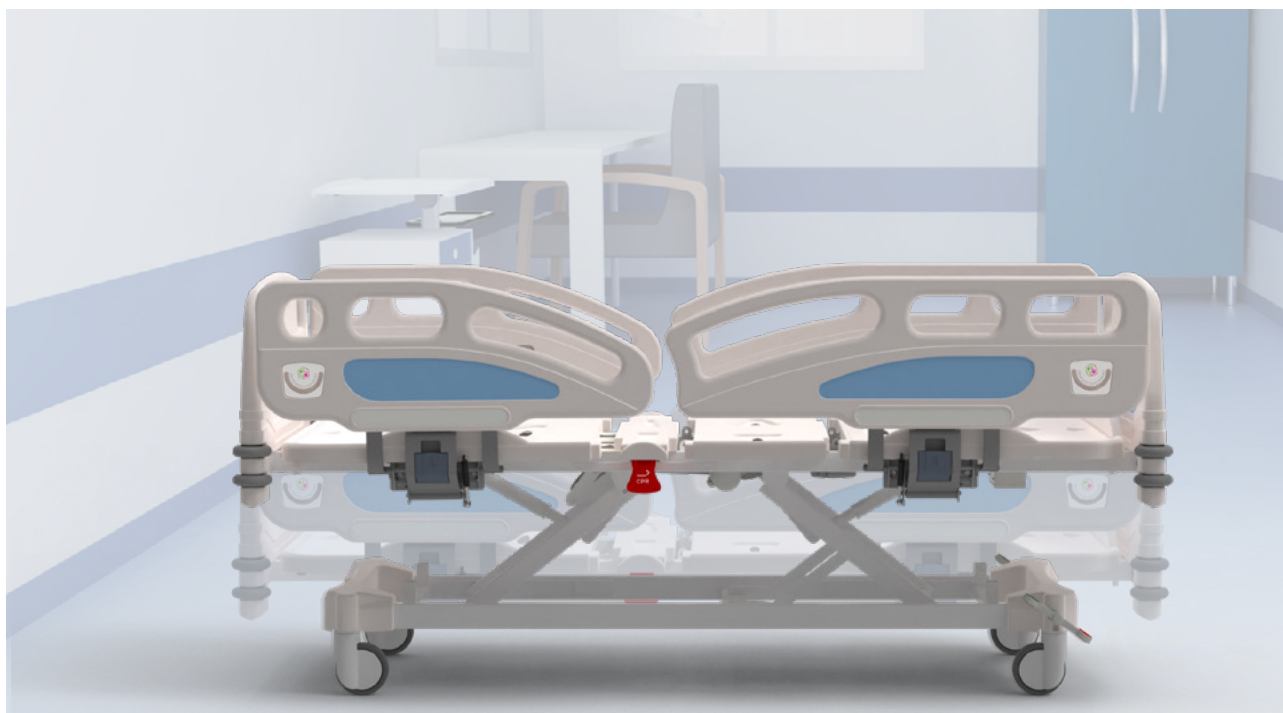




Movements



FOWLER'S POSITION WITH BACKREST ROTATION



VARIABLE HEIGHT





Semi side rails

The device can be equipped with semi side rails. When the semi side rails are raised, the patient is protected from any risk, regardless of whether the bed is stationary or in motion. When the side rails are lowered, they are fully covered by the mattress. The lock/unlock mechanisms are inaccessible to patients but easily accessible to operators - Equipment code AC71/1.



SEMI SIDE RAILS - EQUIPMENT CODE AC71/1





Device customisation

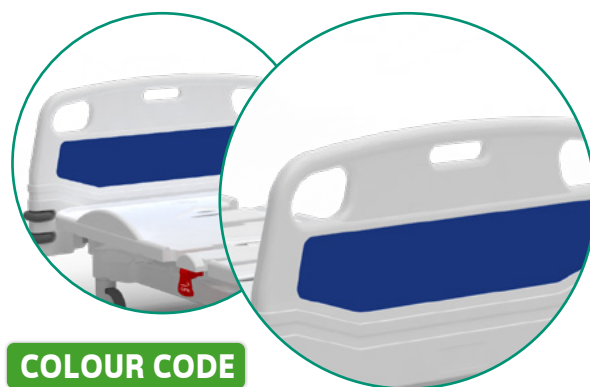
The device shoulders (Equipment code AC65/5) can be customised with a coloured insert in adhesive vinyl to customise the aesthetics of the entire device. The vinyl insert can be customised upon request with custom colours.



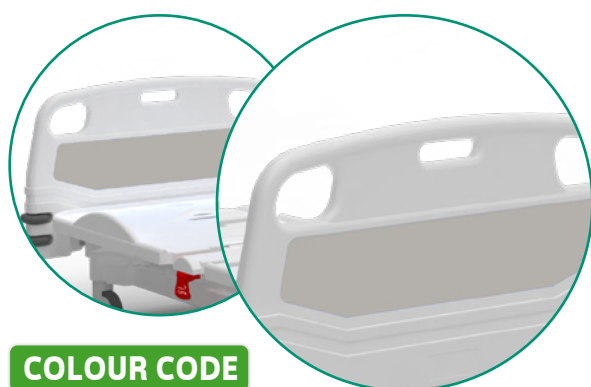
COLOUR CODE
LIGHT BLUE



COLOUR CODE
WOOD GRAIN



COLOUR CODE
DARK BLUE



COLOUR CODE
GRAY



COLOUR CODE
GREEN

Colours are subject to availability



Do you want to choose the colour of the insert?

Scan the QR Code to find out all the colours available on our colour chart.

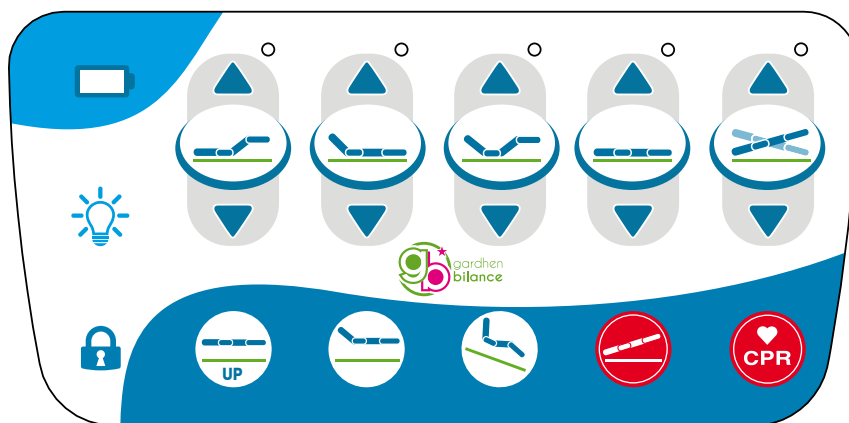


Operator panel

Upon request, the device can be fitted with an operator panel to control and manage the stored movements and positions. The panel includes the following functions:

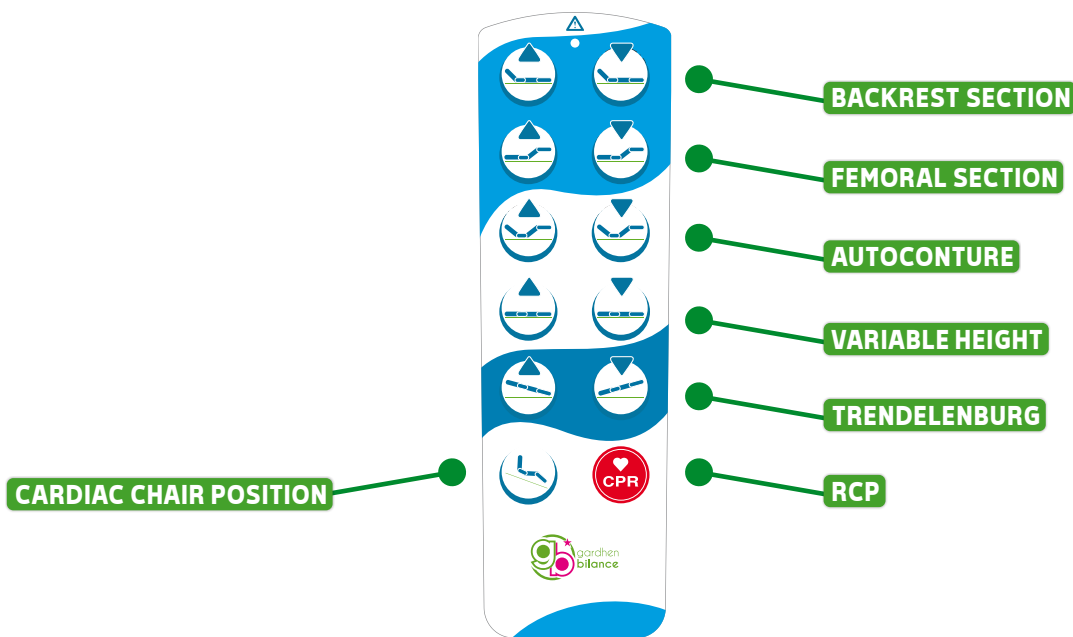
- Movement actuation: femoral, backrest, Autoconture, variable height, Trendelenburg and reverse Trendelenburg.
- Data storage to automatically adjust to the optimal condition for bed set-up and to assist the patient under normal conditions of use.
- Data storage to automatically adjust to patient exit position.
- Data storage to automatically adjust to armchair seating position.
- Data storage to automatically adjust to Trendelenburg position.
- Data storage to automatically adjust to the optimal position for CPR manoeuvre.

Operator panel - Equipment code AC68/6



Push-button panel

The medical device is equipped with a 12-key push-button panel that enables the bed sections to be moved electrically. For patient safety, the push-button panel is fitted with a key to disable the controls - Equipment code AC34L. The push-button panel is easy to use as it is designed with large relief pictograms making it also suitable for visually impaired patients. Insulation IP66. It is possible to integrate other control systems (see the accessories data sheet) - Push-button panel AC6ML.





Shoulder integral to backrest

The device can be supplied with a shoulder (headboard) integral to the frame, so that when the bed sections are moved, the shoulder will not undergo any movement - Accessory code AC120/1.



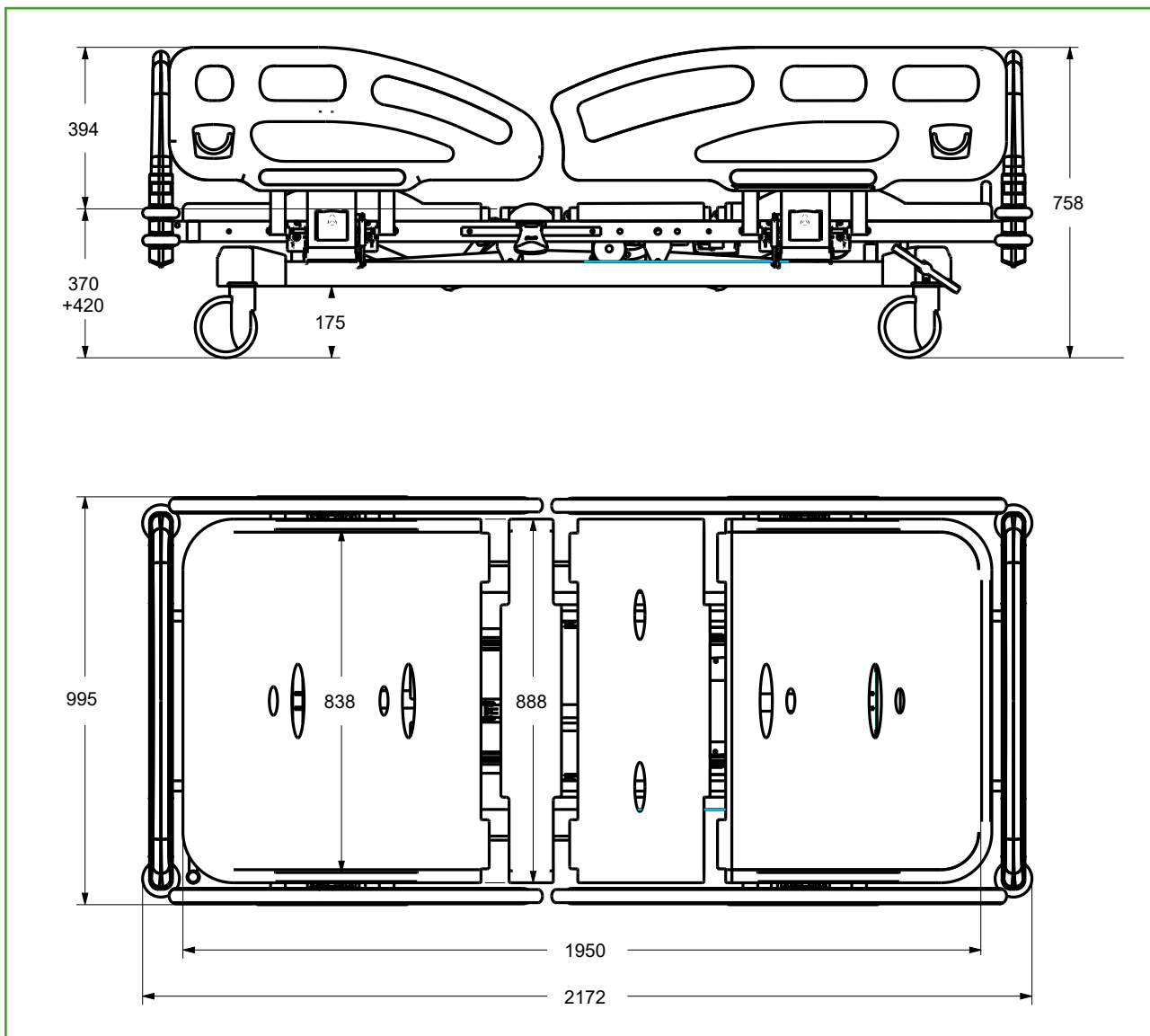
Integrated semi side rails commands

It is possible implemented electrical commands into the semi side rails, these commands allows to the patients and operators to improve the comfort and device functions during entire hospitalization. Internal patient's controls - Accessory code AC68/4. Esternal patient's controls - Accessory code AC68/5.





Dimensions



SEMI SIDE RAILS VERSION EQUIPMENT CODE AC71/1



Do you want to choose the colour of the frame?

Scan the QR Code to find out all the colours available on our colour chart.



Do you want to improve the device?

Scan the QR Code to find out all the available accessories listed on our catalogue.



Technical data sheet

CND - EMDN	V08060101
GMDN	34870
UDI-DI di Base	805771740LETNC
Progressive/R No.	2283287/R
ID Product	GB0384.SP
Intended use	Multi-functional bed
Manufacturer	GARDHEN BILANCE SRL
Spare parts availability	Not less than 10 years
Weight of the bed	105 kg (without accessories)
Control type	Push-button panel with key
Battery	Runtime 10 cycles
Power supply	Multi-voltage 100-240 Vac 50/60 Hz
Power cord type	Schuko or other upon request
Castors	4 Ø 150 mm swivelling stainless steel castors with centralised, directional braking system
Electric motors	Low voltage (24 V)
Max. power consumption	4A
Insulation	IP44
Maximum loading capacity	200 kg
Safe working load	235 kg

Power cord type



Type F - Schuko



Type L - 16A



Type I - Australia



Type B - Canada and USA



Type B - Canada and USA

Gardhen Balance S.r.l.

Via G. Luraghi c/o Consorzio Il Sole - lotto S - 80038 Pomigliano d'Arco (NA) - Italia

Tel. +39.081.8692160 pbx - Fax +39.081.8692460

E-mail: info@gardhenbilance.it - PEC: gardhenbilance@pec.it

Visita il nostro sito www.gardhenbilance.it / Seguici su     

The pictures provided in this document are purely indicative. The manufacturer reserves the right to make changes to the designs without prior notice. Refer to the accessories catalogue and/or sales proposals to identify the standard equipment and to select any additional components. In the event of discrepancies, the content of business proposals shall prevail.

Dep. EN_317 rev. 31/01/2024